

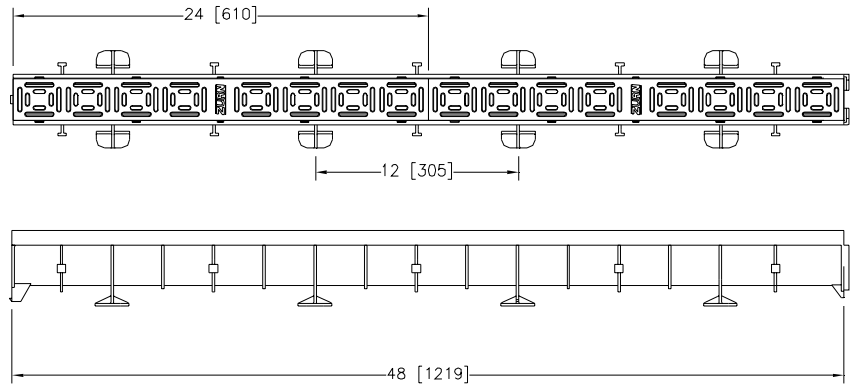
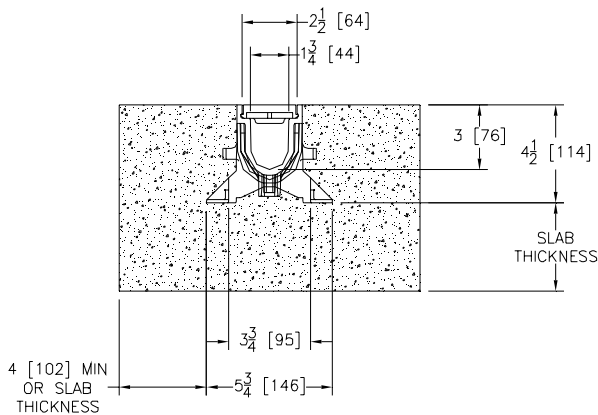


Z880 2 1/2 [64] WIDE TRENCH DRAIN SYSTEM

SPECIFICATION SHEET

TAG _____

Dimensional Data (inches and [mm]) are Subject to Manufacturing Tolerances and Change Without Notice



ENGINEERING SPECIFICATION

Zurn Z880 2 1/2 [64] Wide Trench Drain System shall be 48 [1220] long and 2 1/2 [63.5] wide. Drain shall be 3 [76] deep. Drain shall be made of (HDPE) High Density Polyethylene, and is UV-10 stabilized. Drain shall have bedding feet and/or bedding feet shall be used for positioning and anchoring purposes. Drain shall have tongue and groove snap fit connection. Drain shall be Flo-Thru Z880. 24 [610] long high-density polyethylene decorative grate (-POG) provided as standard.

PREFIX OPTIONS

Z*- 48 [1219] linear high density polyethylene modular drain channel with high-density polyethylene decorative grate.

OPTIONS

- _____ **-E1** End Cap
- _____ **-E1.5** 1-1/2 [38] No Hub End Outlet
- _____ **-U1.5** 1-1/2 [38] No Hub Bottom Outlet
- _____ **-C45** 45 Degree Channel
- _____ **-C90** 90 Degree Channel
- _____ **-G45** 45 Degree Plastic Pool Grate
- _____ **-G90** 90 Degree Plastic Pool Grate
- _____ **-BZ** Bronze Decorative Grate
- _____ **-POG** Heel-Proof Polyethylene Grate
- _____ **-SOG** Stainless Steel Decorative Grate

*Regularly Furnished Unless Otherwise Specified

| | | |
|---------------|------------------|-----------------|
| REV. C | DATE: 07/19/06 | C.N. NO. 109009 |
| DWG.NO. 64442 | PRODUCT NO. Z880 | |

ZURN INDUSTRIES, INC., FLO-THRU DIV., 2640 South Work Street, Falconer, NY 14733

Phone: 716/665-1132, Fax: 716/665-1135, World Wide Web: www.zurn.com

In Canada: ZURN INDUSTRIES LIMITED, 3544 Nashua Drive, Mississauga, Ontario L4V1L2, Phone: 905/405-8272 Fax: 905/405-1292

In UK: Zurn Industries Ltd, Riverside Rd, Pottington Business Park, Barnstaple, Devon EX31 1QN, Phone 01271-340350 Fax 01271-344660